

- Back**
- o PushPull Power
 - o Flat Cable Connectors SEK
 - o *har-mik®*
 - o D-Sub
 - o InduCom

- **Applications**

Product details

09 02 264 6850 Backplane connector

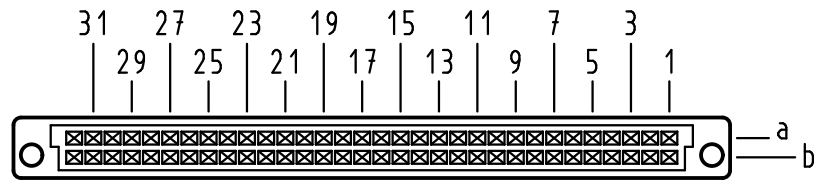
Type	Type B
Standard/Inverse	Standard
Contact gender	Female contacts
Size	Whole size
Number of contacts	64 poles
Contact arrangement	Rows a and b
Termination	Straight press-in terminations
Termination length	4.5 mm
Performance Class	Performance level 2 as per IEC 60603-2
Contacts	with contacts
Fixing flange	with fixing flange
Current	2 A max.
Clearance/ Creepage	1.2 / 1.2 mm min.
RoHS compliant	Yes

Inquiry

Available Downloads

Alle Rechte vorbehalten/ All rights reserved

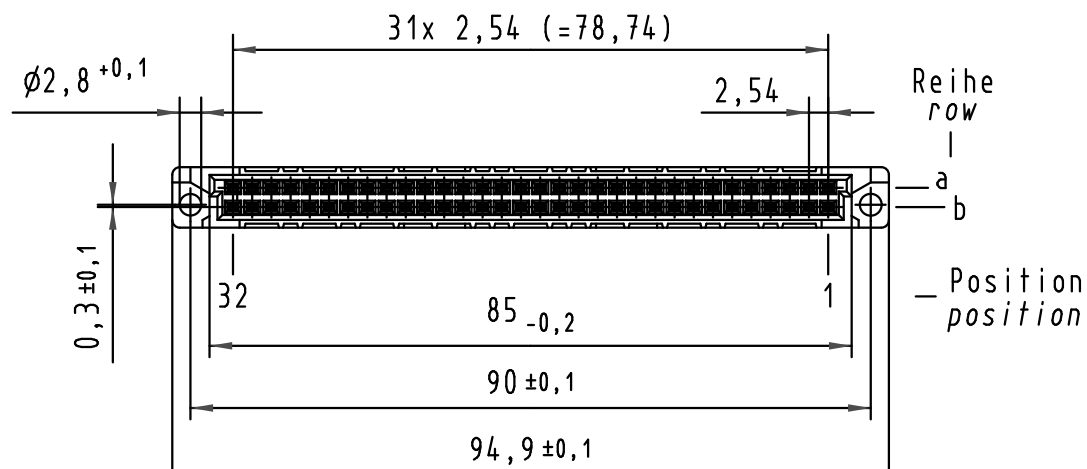
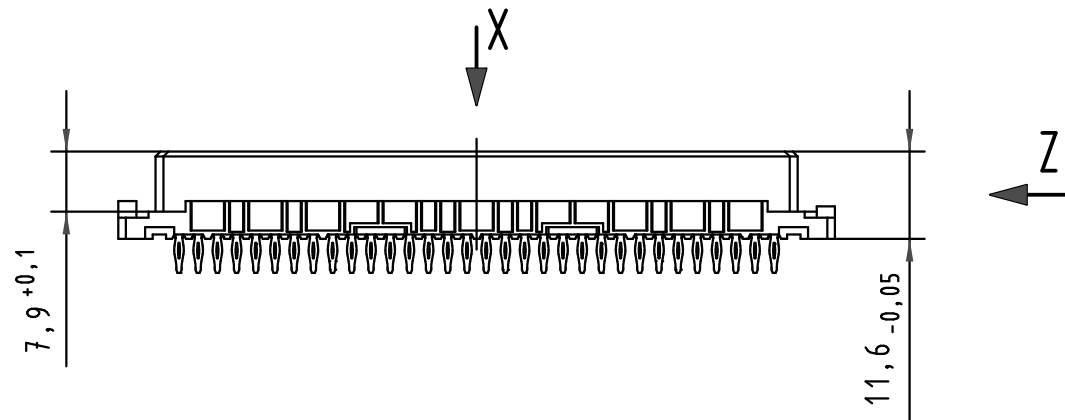
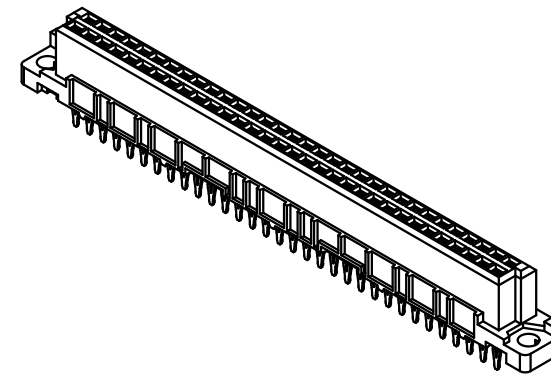
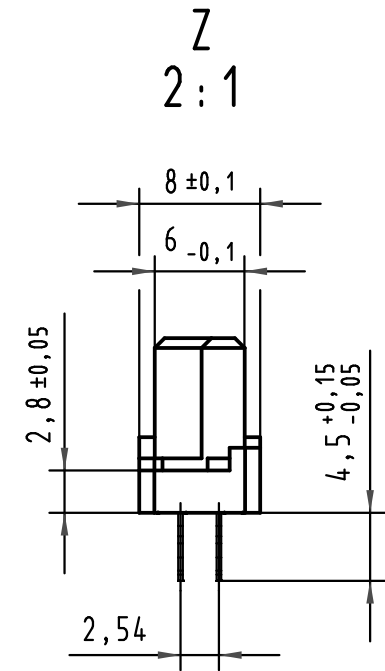
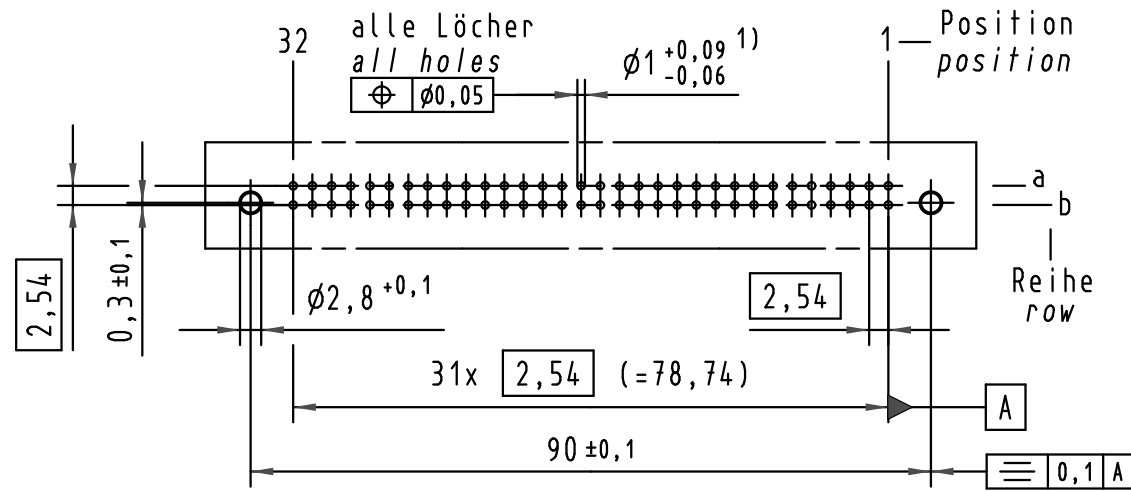
X
Kontaktanordnung
Contact arrangement



64 Einpreß-Kontakte
64 press-in-contacts

- ☒ = Einpreß-Kontakt
= press-in-contact
- = Kontaktposition nicht belegt
= position without contact

X
(Lochbild)
(Board drillings)



1) Für Einpreßverbindung nach IEC 352-2
1) For press-in connection acc. to IEC 352-2

-	-	-
09 02 264 6850	2	Au über/over Ni
09 02 264 2850	1	Au über/over Ni
Bestell-Nr. part-no.	Anforderungsstufe nach IEC performance level acc.to IEC	Kontaktoberfläche contact plating

All Dimensions in mm Original Size DIN A 3			Techn. Character.			Nicht tolerierte Maße/Free size tolerances IEC 60603-2			
						har-bus B Federleiste Einpreß 4,5 , 64 pol. har-bus B female connector press-in 4,5 , 64 pol.			
			Detail.	Dat.	Name				Maßstab/Scale 1:1 2:1
34306	02.07.07	LehT	Insp.	12.10.99	Pa.				
30231	08.02.02	Rie.	Stand.						
26962	24.01.00	Rie.	HARTING Electronics GmbH & Co. KG				TB 09 02 264 x850	Blatt/ page	
26091			D-32339 ESPELKAMP						
Mod.	Dat.	Name				Sub.			